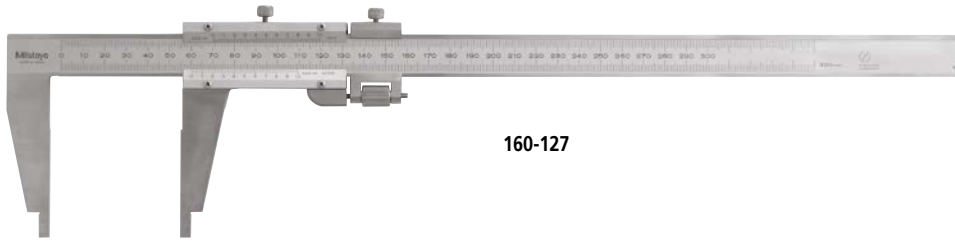


# Calipers

## SERIES 160 – Vernier Nib Jaw Thumbwheel Caliper

- Inside and outside measurements can be read directly from the upper and lower vernier scales.
- The jaws have radiused measuring faces for accurate inside diameter (ID) measurement.



160-127

### Specifications

#### Metric

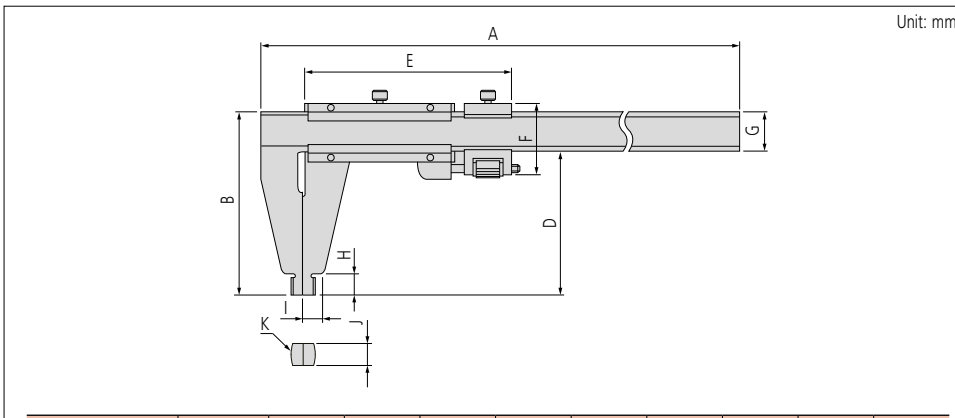
Code No.	Range*	Accuracy	Graduation	Remarks
160-127	0 (10) - 300 mm	±0.04 mm	0.02 mm	—
160-128	0 (20) - 450 mm	±0.05 mm		
160-101	0 (20) - 600 mm			
160-104	0 (20) - 1000 mm	±0.07 mm		

#### Inch/Metric

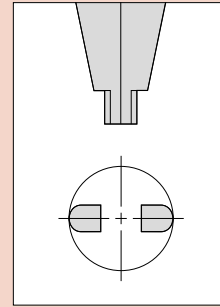
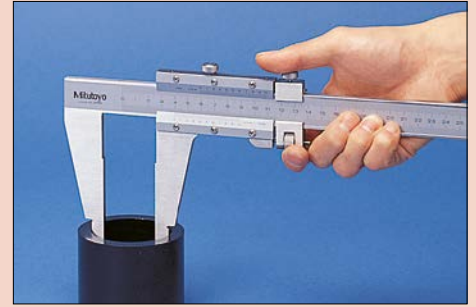
Code No.	Range*	Accuracy	Graduation	Remarks
160-125	0 (10) - 300 mm / 0 (.3) - 12"	±0.04 mm / ±.0015"	0.02 mm / .001"	+ .3" / 7.62 mm to reading in inside measurement
160-119	0 (20) - 450 mm / 0 (.5) - 18"	±0.05 mm / ±.002"		+ .5" / 12.7 mm to reading in inside measurement
160-103	0 (20) - 600 mm / 0 (.5) - 24"			
160-106	0 (20) - 1000 mm / 0 (1) - 40"	±0.07 mm / ±.003"		+ 1" / 25.4 mm to reading in inside measurement
160-112	0 (20) - 1500 mm / 0 (1) - 60"	±0.1 mm / ±.004"		
160-115	0 (20) - 2000 mm / 0 (1) - 80"	±0.12 mm / ±.005"		

\*( ): Minimum measurable inside dimension.

### Dimensions



Range	A	B	D	E	F	G	H	I	J	K
0 - 300 mm	445	95	75	103	38	20	12	10	3.8	R5
0 - 450 mm	630	125	100	112	51	25	18	14.8	6	R10
0 - 600 mm	780		150	62.5	32	24	17	8		
0 - 1000 mm	1240	172	140	150	62.5	32	24	17		
0 - 1500 mm	1800	212	180	170	78	40	30	19	8	
0 - 2000 mm	2300	220		180	78	40	30	23	12	



Radiused jaws for accurate ID measurement.