

# Micrometer Heads

## SERIES 350 – Digimatic Micrometer Head

- The Digimatic output port enables inclusion in a statistical process control or networked measurement system.



350-351-30



350-361-30

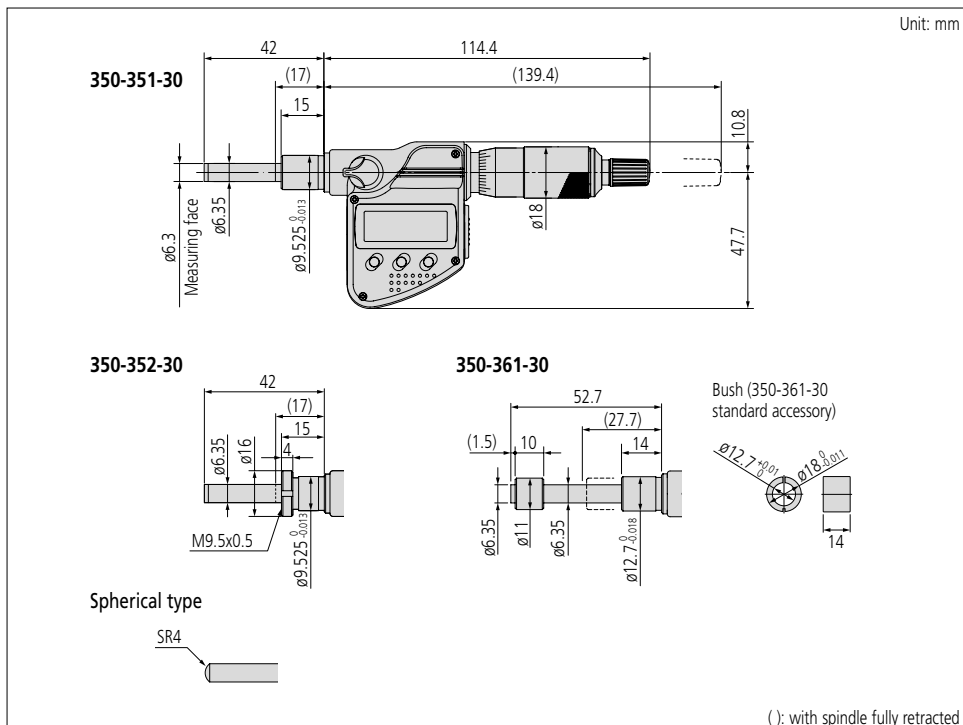
### Specifications

Inch/Metric

Code No.	Range	Resolution	Accuracy*	Stem type	Spindle end	IP65
350-351-30	0 - 25 mm (0 - 1")	0.001 mm (.00005")	±2 μm (±.0001")	Plain	Flat (carbide tip)	—
350-352-30				Locknut	Flat (carbide tip)	—
350-353-30				Plain	Spherical (SR4)	—
350-354-30				Locknut	Spherical (SR4)	—
350-361-30				Plain	Flat with non-rotating device	✓

\* Excluding quantizing error.

### Dimensions



### Functions

**Origin point setting** (ABS measurement system): Resets the ABS origin at the current spindle position to the minimum value of the measuring range and switches to ABS mode.

**Zero setting** (INC measurement system): A brief press on the ZERO/ABS button sets display to zero at the current spindle position and switches to the incremental (INC) measuring mode. A longer press resets to the ABS measuring mode.

**Auto power ON/OFF:** The reading on the LCD disappears after this instrument is idle for about 20 minutes, but the reading and measurement mode are retained. Turning the spindle causes the reading to reappear.

**Data output:** Models equipped with this function have an output port for transferring measurement data to a Statistical Process Control (SPC) system.

**Error alarm:** In the unlikely event of a display overflow or calculation error, an error message is displayed and measurement stops. Measurement cannot continue until the error is corrected. Also, if the battery voltage drops below a certain point, the battery indicator will turn on before measurement becomes impossible, warning the user that the battery needs to be replaced.

### Optional Accessories

Code No.	Description
02AZF310	U-WAVE-TM connection unit
05CZA662	SPC data cable with pushbutton (1 m)
05CZA663	SPC data cable with pushbutton (2 m)
06AFM380B	USB input tool direct USB-ITN-B (2 m)
For non IP-rated models only	
264-623	U-WAVE-TM transmitter (buzzer type)
For 350-361-30 only	
264-622	U-WAVE-TM transmitter (IP67 type)