

# Bore Gauges

## SERIES 511 – Bore Gauge

- Now offers a longer plunger stroke while maintaining original accuracy.
- Carbide is used for the contact point ensuring high durability and wear resistance.
- This model reduces the influence of heat from the operator's hand by 50% by increasing the grip size and making the grip hollow-structured, thereby retaining high-accuracy measurement.
- Interchangeable washers 0.5 mm thick are supplied as standard accessories to enable setting in small steps.
- Optional extension rods can be attached for measuring deep holes (see page C-35).
- An optional inside-length standard, such as a setting ring or Inside Micro Checker (see pages C-37 to C-38 or page C-24, respectively), is required for accurately setting the gauge before measurement.



511-723



511-712

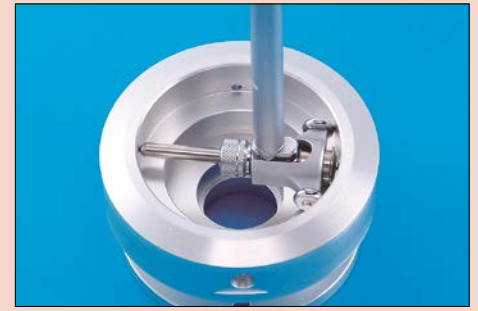
### Specifications

#### Metric

Code No.	Range	Measuring force	Content of set			Probing depth
			Bore gauge	Dial indicator	Anvils	
Graduation 0.001 mm						
511-721	18 - 35 mm	4 N or less	511-701	2109SB-10	9 pcs.	100 mm
511-722	35 - 60 mm		511-702		6 pcs.	
511-723	50 - 150 mm	5 N or less	511-703		11 pcs.	150 mm
511-724	100 - 160 mm		511-704		13 pcs.	
511-725	160 - 250 mm	6 N or less	511-705		6 pcs.	250 mm
511-726	250 - 400 mm		511-706		5 pcs.	
Graduation 0.01 mm						
511-711	18 - 35 mm	4 N or less	511-701	2046SB	9 pcs.	100 mm
511-712	35 - 60 mm		511-702		6 pcs.	
511-713	50 - 150 mm	5 N or less	511-703		11 pcs.	150 mm
511-714	100 - 160 mm		511-704		13 pcs.	
511-715	160 - 250 mm	6 N or less	511-705		6 pcs.	250 mm
511-716	250 - 400 mm		511-706		5 pcs.	
Bore gauge sets						
Code No.	Range	Bore gauge	Dial indicator			
511-921	18 - 150 mm	511-701	2046SB			
511-922		511-702	2109SB-10			
511-925-10		511-703	543-310B			

### Technical Data

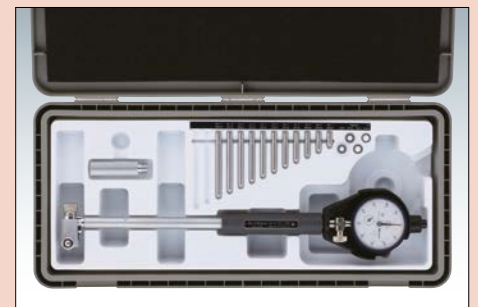
Accuracy: 2  $\mu\text{m}$  / .00008"  
 Repeatability: 0.5  $\mu\text{m}$  / .00002"  
 Narrow-range accuracy: 1  $\mu\text{m}$  / .00004"



The powerful self-centering action ensures accuracy.



New grip improves accuracy during prolonged use.



511-713



511-921

## Contact Points



18-35 mm / .7-1.4"



35-60 mm / 1.4-2.5"



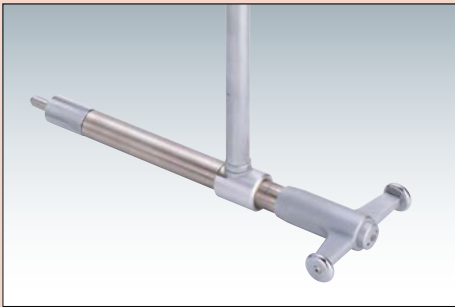
50-150 mm / 2.0-6.0"



100-160 mm / 4.0-6.5"



160-250 mm / 6.5-10.0"



250-400 mm / 10.0-16.0"

## Specifications

Inch						
Code No.	Range	Measuring force	Content of set			Probing depth
			Bore gauge	Dial indicator	Anvils	
Graduation .0001"						
511-751	.7-1.4"	4 N or less	511-731	2923SB-10	9 pcs.	4"
511-752	1.4-2.5"		511-732		6 pcs.	
511-753	2.0-6.0"	5 N or less	511-733		11 pcs.	6"
511-754	4.0-6.5"		511-734		13 pcs.	
511-755	6.5-10.0"	6 N or less	511-735		6 pcs.	10"
511-756	10.0-16.0"		511-736		5 pcs.	
Graduation .0005"						
511-741	.7-1.4"	4 N or less	511-731	2922SB	9 pcs.	4"
511-742	1.4-2.5"		511-732		6 pcs.	
511-743	2.0-6.0"	5 N or less	511-733		11 pcs.	6"
511-744	4.0-6.5"		511-734		13 pcs.	
511-745	6.5-10.0"	6 N or less	511-735		6 pcs.	10"
511-746	10.0-16.0"		511-736		5 pcs.	
Bore gauge sets						
Code No.	Range	Measuring head units	Dial indicator			
511-931	.7-6.0"	511-731	2922SB			
511-932		511-732	2923SB-10			
511-935-10		511-733	543-312B			

## Dimensions

