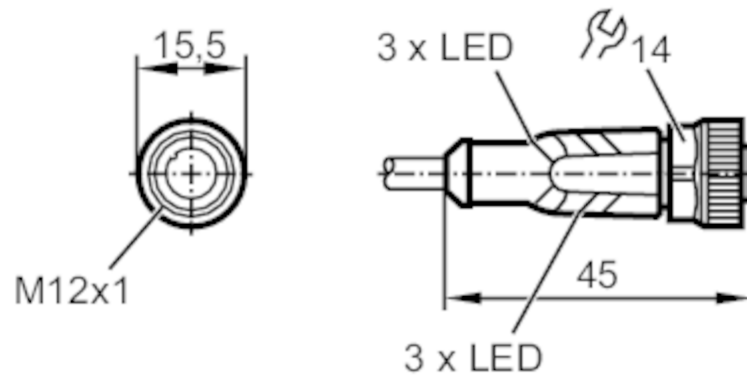


EVC646



Connecting cable with socket

ADOGH046MSS0010H04



Application

Free from silicone yes

Electrical data

Operating voltage [V] 10...36 DC

Protection class II

Max. current load total [A] 4

Outputs

Electrical design PNP

Operating conditions

Ambient temperature [°C] -25...90

Note on ambient temperature cULus: ...50

Ambient temperature (moving) [°C] -25...90

Note on ambient temperature (moving) cULus: ...50

Protection IP 65; IP 67; IP 68; IP 69K

EVC646



Connecting cable with socket

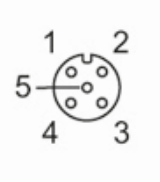
ADOGH046MSS0010H04

Mechanical data		
Weight [g]	341.5	
Dimensions [mm]	15.5 x 15.5 x 45	
Materials	housing: TPU black transparent; Sealing: FKM	
Material nut	brass, nickel-plated	
Drag chain suitability	yes	
Drag chain suitability	bending radius for flexible use	min. 10 x cable diameter
	travel speed	max. 3.3 m/s for a horizontal travel length of 5 m and max. acceleration of 5 m/s ²
	bending cycles	> 5 Mio.
	torsional strain	± 180 °/m

Displays / operating elements		
Display	switching status	4 x LED, yellow
	operation	2 x LED, green

Remarks	
Pack quantity	1 pcs.

Electrical connection	
Cable: 10 m, PUR, Halogen-free, black, Ø 4.9 mm; 4 x 0.34 mm ² (42 x Ø 0.1 mm)	

Electrical connection - socket	
Connector: 1 x M12, straight; Locking: brass, nickel-plated; Contacts: gold-plated; Tightening torque: 0.6...1.5 Nm	
	

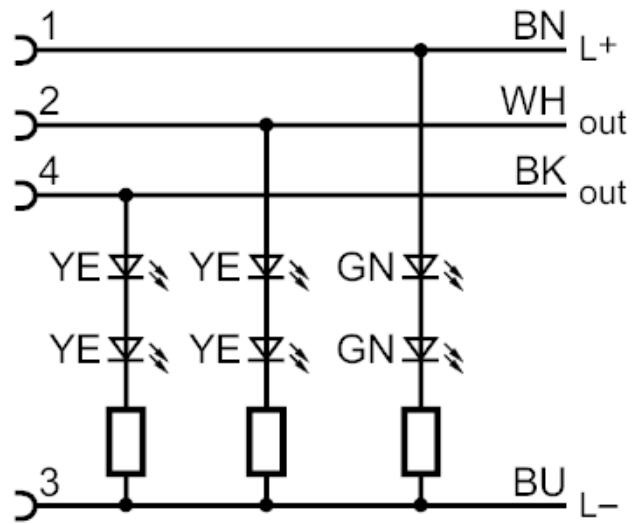
EVC646



Connecting cable with socket

ADOGH046MSS0010H04

Connection



Core colours :

BK =	black
BN =	brown
BU =	blue
WH =	white