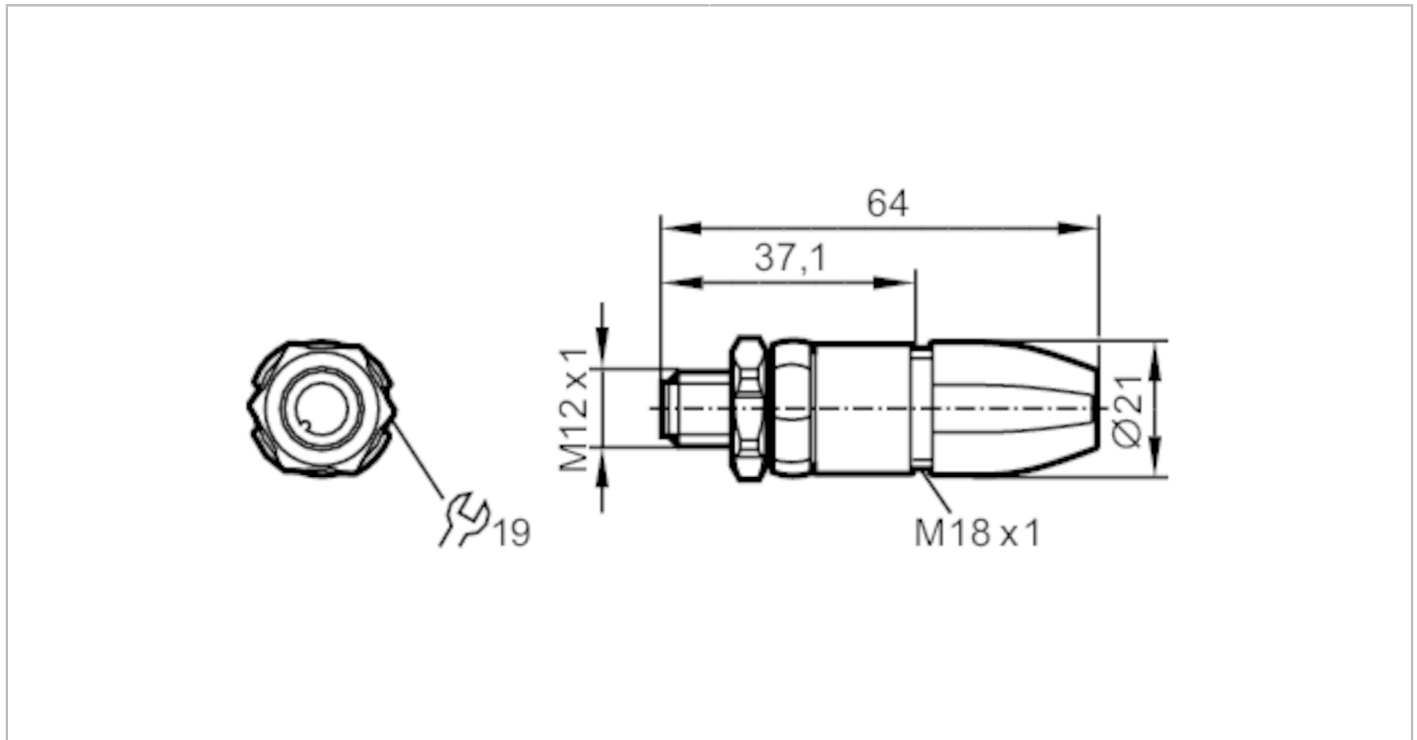


EVF567



Wirable plug

SSTGH040VASFKPG



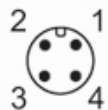
CE

Application	
Design	straight
Application	hygienic and wet areas in the food industry
Free from silicone	yes
Electrical data	
Operating voltage [V]	< 250 AC / < 300 DC
Protection class	II
Max. current load total [A]	4; (...40 °C)
Operating conditions	
Ambient temperature [°C]	-25...100
Protection	IP 65; IP 67; IP 68; IP 69K
Mechanical data	
Weight [g]	31.7
Materials	PA 6.6 grey; Sealing EPDM
Material nut	stainless steel
Remarks	
Pack quantity	1 pcs.
Electrical connection	
screw terminals: 0.25...1 mm ² ; Cable sheath: Ø 3.5...6 mm; AWG 23...17	
Electrical connection - plug	
Connector: 1 x M12, straight; Moulded body: PA 6.6, grey; Locking: stainless steel; Sealing: EPDM; Contacts: gold-plated; Tightening torque: 0.6...1.2 Nm; Take into account the maximum value of the counterpart!	

EVF567

Wirable plug

SSTGH040VASFKPG



Connection

