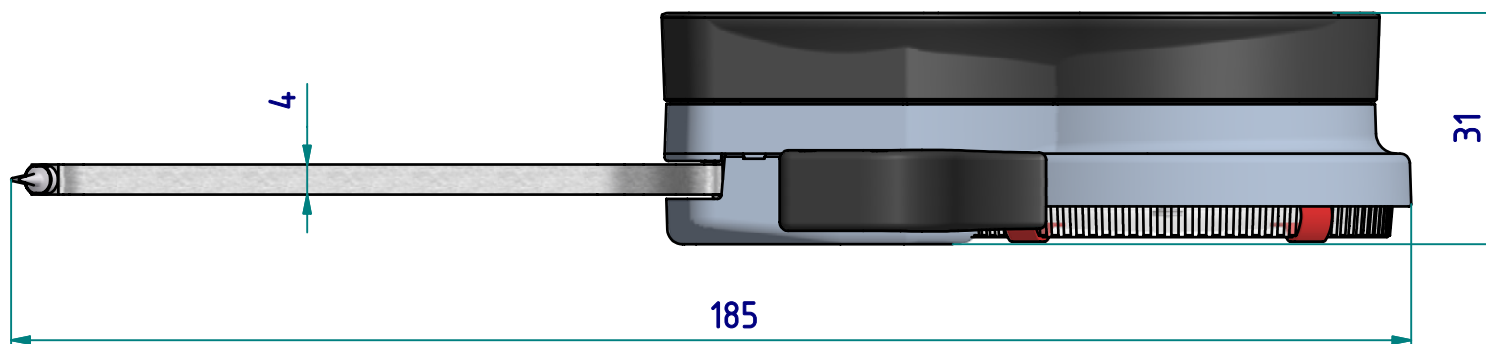
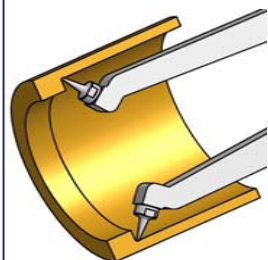
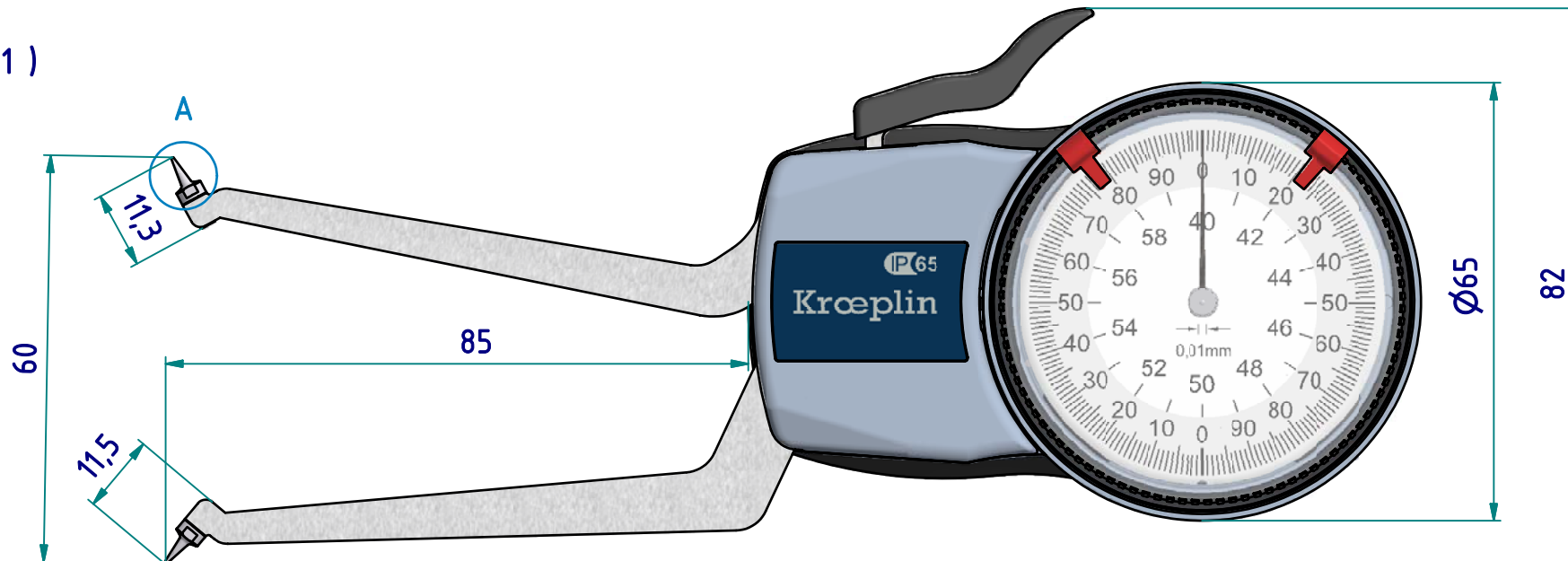
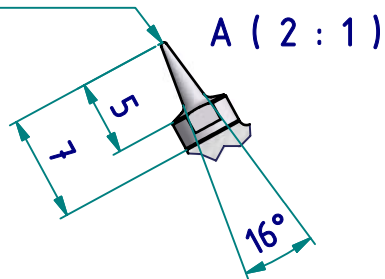


# data sheet: H2G40

Kroepflin GmbH  
Gartenstraße 50  
D-36381 Schlüchtern

**Kroepflin**  
Längenmesstechnik

SR0,2  
hardened



subject to technical alterations

**type:** H  
**range:** 40 - 60 mm  
**range of indication:** 39,5 - 60,5 mm  
**digital step:** -  
**scale interval:** 0,01 mm  
**measuring force:** 1,1 - 1,6 N  
**weight:** 195 g

acceptable deviations  
 VDI/VDE/DGQ 2618 Bl. 12.1/13.1)  
**max. permissible errors "G":** 0,03 mm  
**repeatability "r":** 0,01 mm  
**reference temperature:** 20° C  
**operation temperature:** 10° C - 30° C  
**storage temperature:** -10° C - 50° C

**scale:** 1:1  
**drawing-nr.:** DAB-H2G40\_KR\_e  
**date of issue:** 08.01.09  
**name:** T.Koenig  
**revision status:**  
**revision date:**