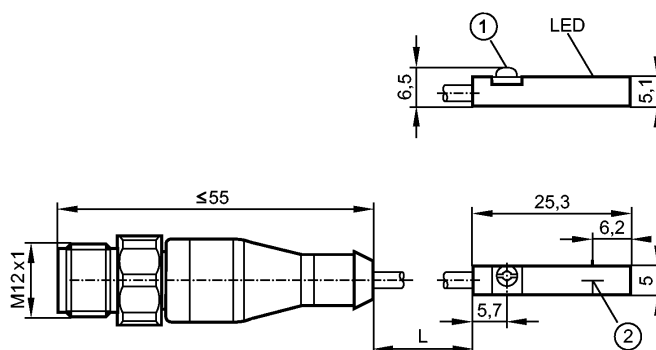


MK5111

MKT3028BBPKG/G/0.3M/-H/US

Magnetic sensors, cylinder sensors



- 1: Fastening clamp
- 2: sensing face



Product characteristics

Cylinder sensor with GMR cell
Plastic housing for T-slot cylinders
Cable with connector
[f] flush mountable
Magnetic sensitivity 2.8 mT
Travel speed > 10 m/s

Electrical data

Electrical design	DC PNP
Operating voltage [V]	10...30 DC; "supply class 2" to cULus.
Current consumption [mA]	< 10
Protection class	III
Reverse polarity protection	yes

Outputs

Output function	normally open
Voltage drop [V]	< 2.5
Current rating [mA]	100
Short-circuit protection	yes
Overload protection	yes
Switching frequency [Hz]	10000

Range

Magnetic sensitivity [mT]	2.8
Travel speed [m/s]	> 10

Accuracy / deviations

Hysteresis [mm]	1.5
Repeatability [mm]	< 0.2

Reaction times

Power-on delay time [ms]	< 30
--------------------------	------

Environment

Ambient temperature [°C]	-25...85
Protection	IP 65 / IP 67 / IP 69K

Tests / approvals

EMC	EN 61000-4-2 ESD:	- CD / 8 kV AD
-----	-------------------	----------------

MK5111

MKT3028BBPKG/G/0.3M/-H/US

Magnetic sensors, cylinder sensors

	EN 61000-4-3 HF radiated:	10 V/m
	EN 61000-4-4 Burst:	2 kV
	EN 61000-4-6 HF conducted:	10 V
	EN 55011:	class B
MTTF	[Years]	2373
UL approval number		C003

Mechanical data

Mounting		flush mountable
Housing materials		housing: PA (polyamide); Fastening clamp: stainless steel
Weight	[kg]	0.021

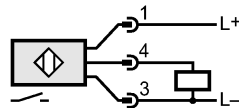
Displays / operating elements

Output status indication	LED	yellow
--------------------------	-----	--------

Electrical connection

Connection	PVC cable / 0.3 m; with M12 connector, with rotatable stainless steel hexagon nut	
------------	---	--

Wiring



Accessories

Accessories (included)	rubber placeholder; cable clip	
------------------------	--------------------------------	--

Remarks

Remarks	Clamping screw with combined slot/hexagon socket head AF 1.5	
---------	--	--

Pack quantity	[piece]	1
---------------	---------	---