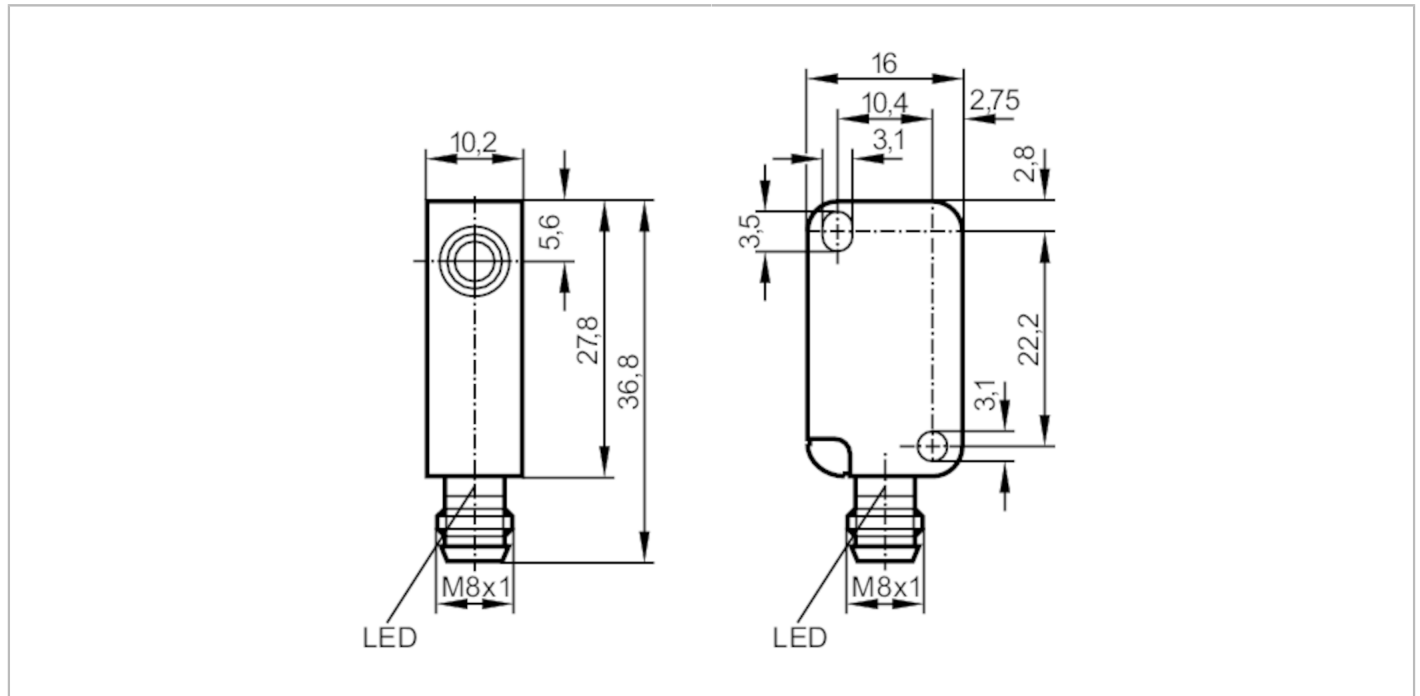


MS5010



Magnetic sensor

MS-3060-BPKG/AS-510-TPS



Electrical data	
Operating voltage [V]	10...30 DC; ("supply class 2" to cULus)
Current consumption [mA]	< 10
Protection class	III
Reverse polarity protection	yes
Outputs	
Electrical design	PNP
Output function	normally open
Max. voltage drop switching output DC [V]	2.5
Permanent current rating of switching output DC [mA]	200
Switching frequency DC [Hz]	5000
Short-circuit protection	yes
Type of short-circuit protection	pulsed
Overload protection	yes
Detection zone	
Sensing range [mm]	60; (referred to magnet M 4.0)
Response sensitivity [mT]	1.2
Accuracy / deviations	
Hysteresis [% of Sr]	1...10
Operating conditions	
Ambient temperature [°C]	-25...75
Protection	IP 67

MS5010



Magnetic sensor

MS-3060-BPKG/AS-510-TPS

Tests / approvals		
EMC	EN 61000-4-2 ESD	4 kV CD / 8 kV AD
	EN 61000-4-3 HF radiated	10 V/m
	EN 61000-4-4 Burst	2 kV
	EN 61000-4-5 Surge	0,5 kV line to line, Ri: 2 Ohm
	EN 61000-4-6 HF conducted	10 V
	EN 55011	class B
MTTF	[years]	2847

Mechanical data		
Weight	[g]	17.5
Housing		rectangular
Dimensions	[mm]	28 x 10 x 16
Materials		housing: PBT orange

Displays / operating elements		
Display	switching status	1 x LED, yellow

Remarks		
Pack quantity		1 pcs.

Electrical connection - plug

Connector: 1 x M8; Contacts: gold-plated



Connection

