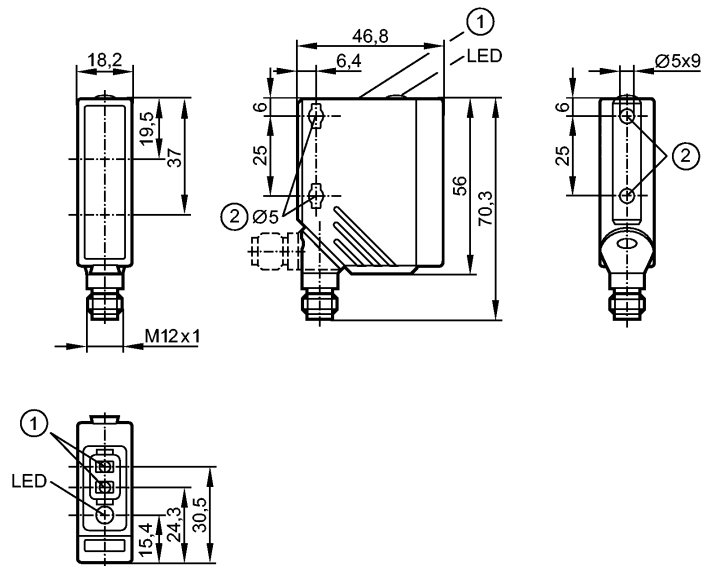


O5H500

O5H-FPKG/US100

Photoelectric sensors



- 1: Programming buttons
- 2: When a M5 mounting screw is used, the max. tightening torque is 2 Nm.

Receiver in upper lens, transmitter in lower lens



Made in Germany

Product characteristics

Diffuse reflection sensor	
Rectangular, plastics	
Connector	
Background suppression	
Teach function	
Electronic lock	
Range 50...1800mm (Range referred to white paper 200 x 200 mm, 90 % remission)	
adjustable	

Electrical data

Electrical design		DC PNP
Operating voltage [V]		10...36 DC
Current consumption [mA]		25
Type of light		Red light 624 nm
Protection class		II
Reverse polarity protection		yes

Outputs

Output function		light-on / dark-on programmable
Voltage drop [V]		< 2.5
Current rating [mA]		200
Short-circuit protection		pulsed
Overload protection		yes
Switching frequency [Hz]		1000

Range

Range [mm]		
Range [mm]		50...1800 (Range referred to white paper 200 x 200 mm, 90 % remission)
- Object white (90 % remission)		50...1800

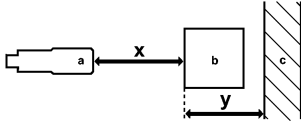
O5H500

O5H-FPKG/US100

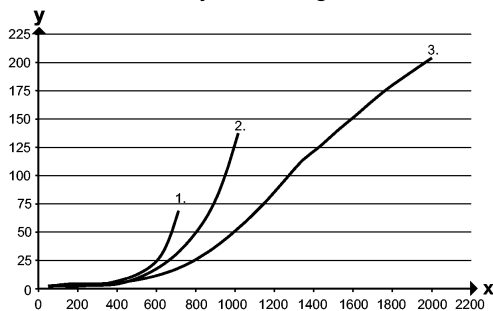
Photoelectric sensors

- Object grey (18 % remission)	50...900
- Object black (6 % remission)	50...600
Light spot diameter [mm]	50 (Range 1000 mm)

Accuracy graph



- a: sensor
- b: object
- c: background
- x: distance sensor / object
- y: min. distance object / background



- Values in [mm]
- 1 = object black (6 % remission), background white (90 % remission)
 - 2 = object grey (18 % remission), background white (90 % remission)
 - 3 = object white (90 % remission), background white (90 % remission)

Environment

Ambient temperature [°C]	-25...60
Protection	IP 67

Tests / approvals

EMC	EN 60947-5-2
MTTF [Years]	360

Mechanical data

Housing materials	housing: PA; bezel: high-grade stainless steel; operator interface: TPU
Lens material	PMMA
Weight [kg]	0.067

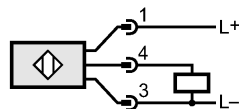
Displays / operating elements

Output status indication LED	yellow
------------------------------	--------

Electrical connection

Connection	M12 connector
------------	---------------

Wiring



Remarks

Remarks	cULus - Class 2 source required
---------	---------------------------------



O5H500

O5H-FPKG/US100

Photoelectric sensors

Pack quantity [piece] 1