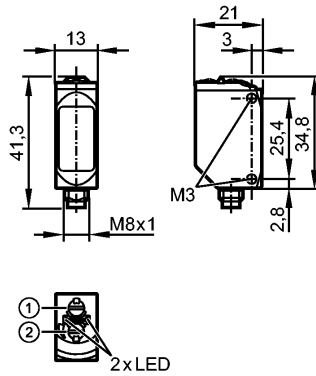


**O6H302**

O6H-FPKG/AS/3P

Photoelectric sensors



1: output function switch  
2: potentiometer sensitivity

Made in Germany



**Product characteristics**

Diffuse reflection sensor
Rectangular Metal
Connector
adjustable
Background suppression
Range 2...200mm (referred to white paper 200 x 200 mm)

**Electrical data**

Electrical design	DC PNP
Operating voltage [V]	10...30 DC
Current consumption [mA]	22 (24 V)
Type of light	Red light 633 nm
Protection class	III
Reverse polarity protection	yes

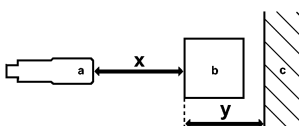
**Outputs**

Output function	light-on/dark-on mode selectable
Voltage drop [V]	< 2.5
Current rating [mA]	100
Short-circuit protection	pulsed
Switching frequency [Hz]	1000

**Range**

Range [mm]	2...200 (referred to white paper 200 x 200 mm)
Range [mm]	2...200
- Object white (90 % remission)	2...200
- Object grey (18 % remission)	4...200
- Object black (6 % remission)	8...200
Light spot diameter [mm]	8 ( at maximum range )

**Accuracy graph**



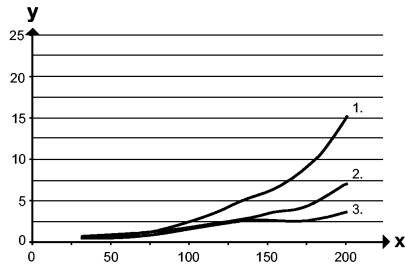
a: sensor  
b: object

## O6H302

O6H-FPKG/AS/3P

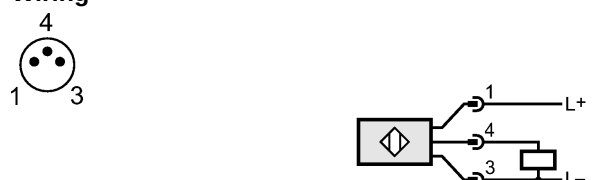
Photoelectric sensors

c: background  
 x: distance sensor / object  
 y: min. distance object / background



Values in [mm]

- 1 = object black (6 % remission), background white (90 % remission)
- 2 = object grey (18 % remission), background white (90 % remission)
- 3 = object white (90 % remission), background white (90 % remission)

Environment	
Ambient temperature [°C]	-25...80
Protection	IP 65 / IP 67 ; IP 68 / IP 69K
Tests / approvals	
EMC	EN 60947-5-2
MTTF [Years]	708
UL approval number	E001
Mechanical data	
Housing materials	housing: stainless steel 316L / 1.4404; plastics: PPSU
Lens material	PMMA
Weight [kg]	0.036
Displays / operating elements	
Output status indication LED	yellow
Operation LED	green
Electrical connection	
Connection	M8 connector
<b>Wiring</b>	
	
Remarks	
Remarks	cULus - Class 2 source required
Pack quantity [piece]	1