



PNEUTORQUE® PTM SERIES



The PTM-80, PTM-92 and PTM-119 tools bring the speed advantage of the twin motor handle to higher capacity PneuTorque® models. These models deliver an ideal balance between robustness, speed and weight.

11 PTM-80 SERIES - STALL TOOLS - BI-DIRECTIONAL

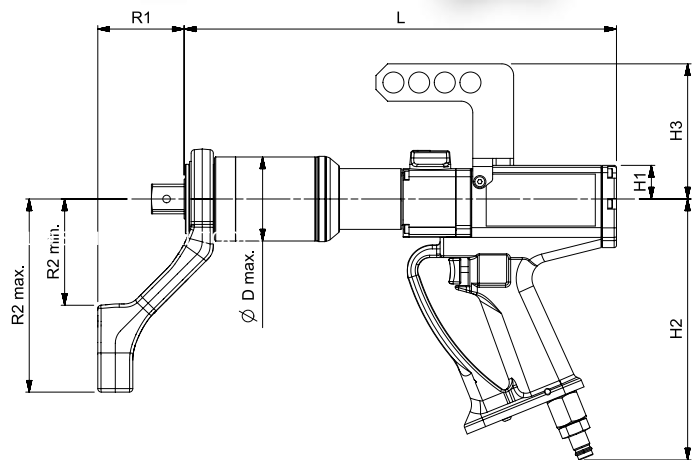
180296.B08 1" sq. dr., 540 - 2,700 N·m, 400 - 2,000 lbf·ft
 Also available as forward only tools, replace B with F when ordering. Deduct £299.21 from above price. Stall tools are supplied in a carry case.

11 PTM-92 SERIES - STALL TOOLS - BI-DIRECTIONAL

18159.B08 1" sq. dr., 800 - 4,000 N·m, 590 - 2,950 lbf·ft
 18159.B12 1½" sq. dr., 800 - 4,000 N·m, 590 - 2,950 lbf·ft
 Also available as forward only tools, replace B with F when ordering. Deduct £288.28 from above price. Stall tools are supplied in a carry case.

BI-DIRECTIONAL

18108.B12 1½" sq. dr., 900 - 4,500 N·m, 660 - 3,300 lbf·ft
 18109.B12 1½" sq. dr., 1,200 - 6,000 N·m, 885 - 4,425 lbf·ft
 Also available as forward only tools, replace B with F when ordering. Deduct £288.28 from above price. Stall tools are supplied in a carry case.



Model	PTM-52-500-B PTM-52-800-B	PTM-72-1000-B PTM-72-1350-B	PTM-72-2000-B	PTM-80-2700-B	PTM-92-4000-B	PTM-119-4500-B PTM-119-6000-B	
Part Number	18100.B06 18101.B06	18102.B06 18103.B08	18104.B08	180296.B08	18159.B08 18159.B12	18108.B12 18109.B12	
Output Speed (rpm)	224 (PTM-52-500-B) 148 (PTM-52-800-B)	122 (PTM-72-1000-B) 86 (PTM-72-1350-B)	58	40	32	23 (PTM-119-4500-B) 15.5 (PTM-119-6000-B)	
Dimensions (mm)	ØD max.	52	72	72	80	92	119
	H1	29	29	29	29	29	29
	H2	224	224	224	224	224	224
	H3	116	116	116	116	116	116
	L	310	342	371	335	394	415
	R1	59	68	74	80	87	118
	R2 max.	131	165	165	165	205	199
Tool Weight (kg)	4.1	6.1	6.5	7.5	8.5	13.3	
Reaction Weight (kg)	0.9	0.7	0.7	1.4	1.4	2.2	