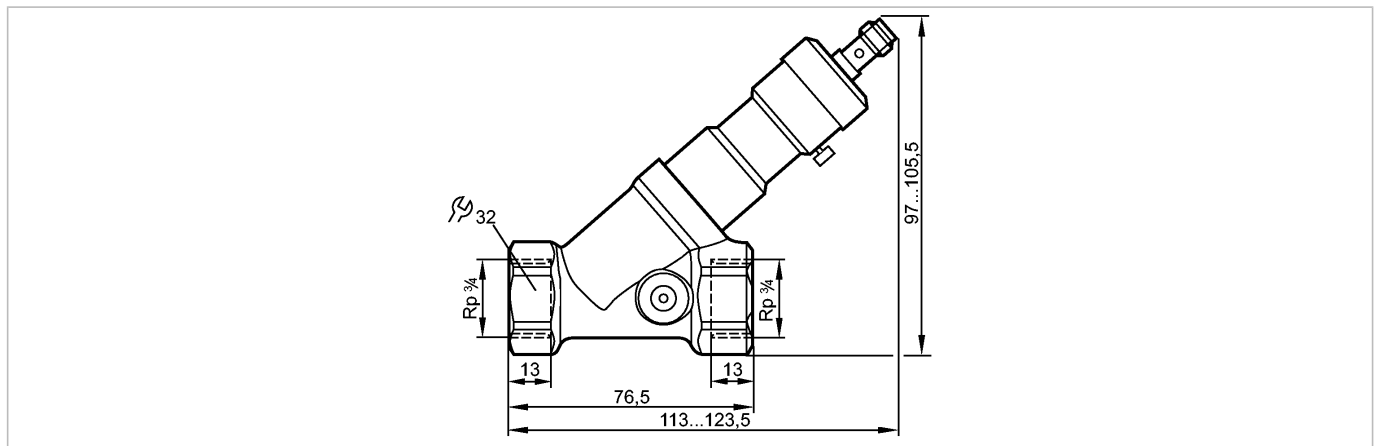


SBY332

SBY34BF0BPKG/US

Flow sensors



Made in Germany

Product characteristics

Flow monitor	
with non-return valve	
Process connection: Rp 3/4	
Switch point adjustable	
Measuring range: < 15 l/min	

Application

Application	liquids (water, glycol solutions, oils)
Medium temperature [°C]	0...85

Electrical data

Electrical design	DC PNP
Operating voltage [V]	24 DC (-15% / +10%)
Current consumption [mA]	< 15
Protection class	III
Reverse polarity protection	yes

Outputs

Output function	normally open
Current rating [mA]	100
Voltage drop [V]	< 2.5
Short-circuit protection	yes
Overload protection	yes

Measuring / setting range

Measuring range [l/min]	< 15
Flow range [l/min]	< 100
Set point, SP [l/min]	1...15 *)

Accuracy / deviations

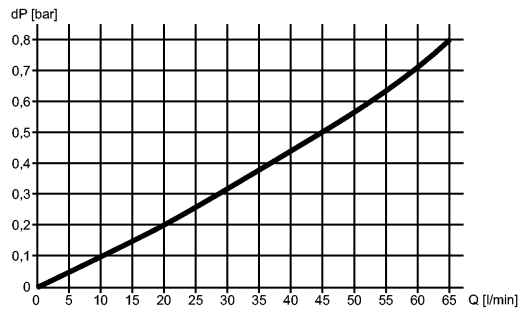
Hysteresis [l/min]	0.2...1
Repeatability [l/min]	0.15
Accuracy [% of the final value]	± 5

SBY332

SBY34BF0BPKG/US

Flow sensors

Pressure loss (dP) / flow rate (Q)



Reaction times

Response time [s] < 0.01

Environment

Pressure rating [bar] 25

Ambient temperature [°C] 0...60

Protection IP 67

Tests / approvals

MTTF [Years] 15.78

Mechanical data

Process connection Rp 3/4

Materials (wetted parts) stainless steel (304S15); Brass chemically nickel-plated; PP (polypropylene); O-ring: FPM (Viton)

Housing materials Brass chemically nickel-plated; aluminium anodised; PP (polypropylene)

Switching cycles min. 10 million

Weight [kg] 0.452

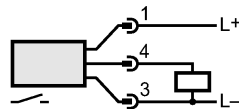
Displays / operating elements

Output status indication LED yellow (4 x 90°)

Electrical connection

Connection M12 connector

Wiring



Remarks

Remarks *) One complete turn corresponds to approx. 2 l/min
Attention: Do not turn the setting screw beyond the maximum value of the setting range.

Pack quantity [piece] 1