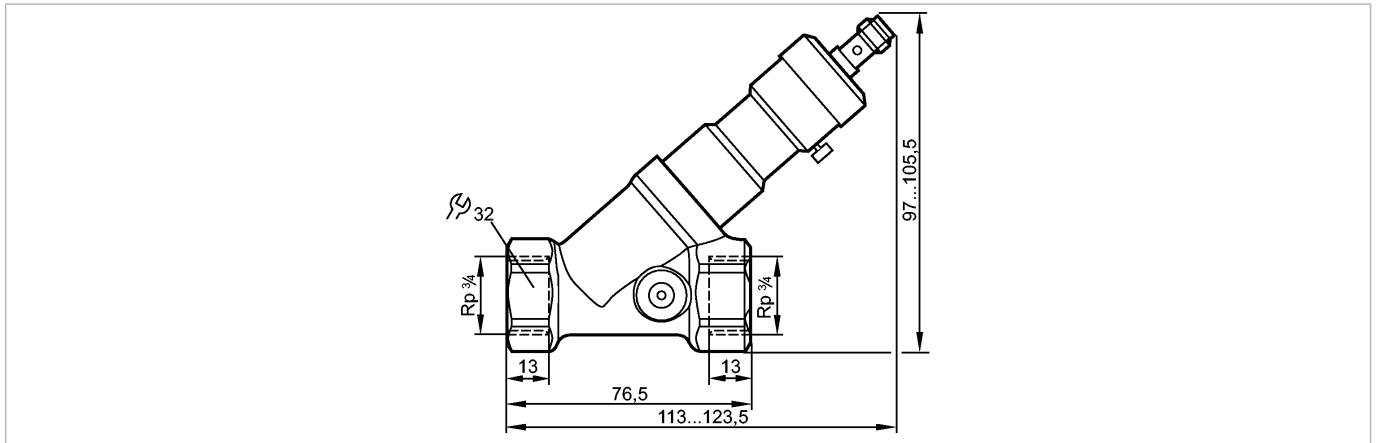


**SBY334**

SBY34BF0BPKG/US

Flow sensors



Made in Germany

**Product characteristics**

Flow monitor	
with non-return valve	
Process connection: Rp 3/4	
Switch point adjustable	
Measuring range: < 50 l/min	

**Application**

Application	liquids (water, glycol solutions, oils)
Medium temperature [°C]	0...85

**Electrical data**

Electrical design	DC PNP
Operating voltage [V]	24 DC (-15% / +10%)
Current consumption [mA]	< 15
Protection class	III
Reverse polarity protection	yes

**Outputs**

Output function	normally open
Current rating [mA]	100
Voltage drop [V]	< 2.5
Short-circuit protection	yes
Overload protection	yes

**Measuring / setting range**

Measuring range [l/min]	< 50
Flow range [l/min]	< 100
Set point, SP [l/min]	2...50 *)

**Accuracy / deviations**

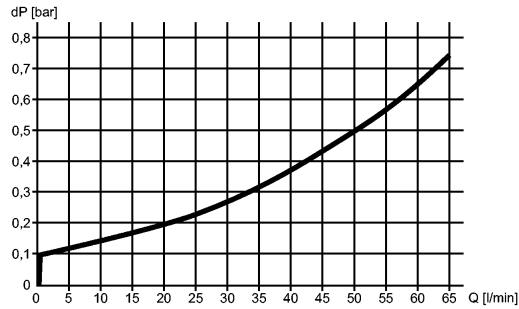
Hysteresis [l/min]	1...3
Repeatability [l/min]	0.5
Accuracy [% of the final value]	± 5

**SBY334**

SBY34BF0BPKG/US

**Flow sensors**

Pressure loss (dP) / flow rate (Q)



**Reaction times**

Response time [s] < 0.01

**Environment**

Pressure rating [bar] 25

Ambient temperature [°C] 0...60

Protection IP 67

**Tests / approvals**

MTTF [Years] 15.78

**Mechanical data**

Process connection Rp 3/4

Materials (wetted parts) stainless steel (304S15); Brass chemically nickel-plated; PP (polypropylene); O-ring: FPM (Viton)

Housing materials Brass chemically nickel-plated; aluminium anodised; PP (polypropylene)

Switching cycles min. 10 million

Weight [kg] 0.491

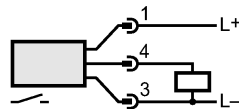
**Displays / operating elements**

Output status indication LED yellow (4 x 90°)

**Electrical connection**

Connection M12 connector

**Wiring**



**Remarks**

Remarks \*) One complete turn corresponds to approx. 6 l/min  
Attention: Do not turn the setting screw beyond the maximum value of the setting range.

Pack quantity [piece] 1