

# Micrometers

## SERIES 395,115 – Tube Micrometers

- Designed to measure workpieces with concave-convex surfaces such as the wall thickness of tubes and pipes.
- Measuring faces: carbide (115-101: only the spindle is carbide tipped).
- 395 series: IP65 digital spherical-flat anvil type micrometer.
- Equipped with Ratchet Stop for constant measuring force.

**MeasurLink** ENABLED  
Data Management Software by Mitutoyo

**IP 65**

**TÜV Rheinland**  
CERTIFIED  
www.tuv.com  
ID: 0000040191

B



395-351-30



115-115

### Technical Data

Flatness:	.000024" / 0.6 μm: 115 series
	.000012" (0.3 μm): 395 series
Battery:	SR44 (1 pc), <b>938882</b> : 395 series

### Optional Accessories (for 395 series only)

Code No.	Description
<b>264-622</b>	U-WAVE-TM transmitter
<b>02AZF310</b>	U-WAVE-TM connection unit
<b>05CZA662</b>	SPC data cable with pushbutton (1 m)
<b>05CZA663</b>	SPC data cable with pushbutton (2 m)
<b>06AFM380B</b>	USB input tool direct USB-ITN-B (2 m)

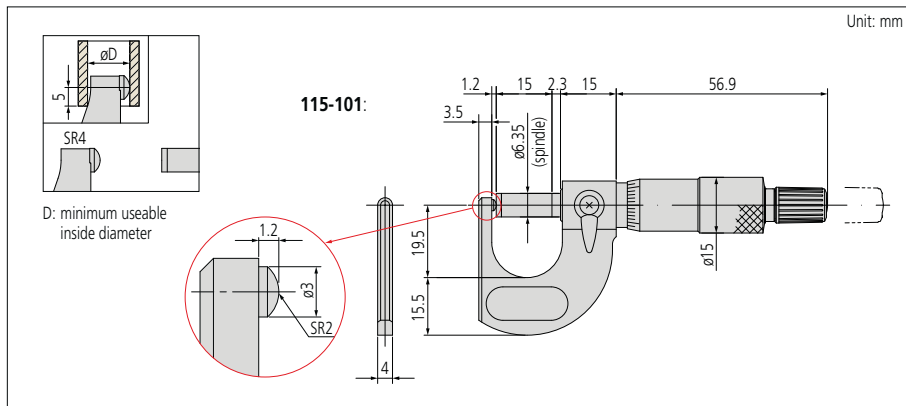


### Specifications

Inch/Metric					
Code No.	Range	Resolution	Accuracy*	D	
Digimatic					
<b>395-351-30</b>	0 - 1" (0 - 25.4 mm)	.00005" (0.001 mm)	±.0001" (±2 μm)	ø.59" (ø15 mm)	
<b>395-352-30</b>	1 - 2" (25.4 - 50.8 mm)			ø.75" (ø19 mm)	
<b>395-353-30</b>	2 - 3" (50.8 - 76.2 mm)				
<b>395-354-30</b>	3 - 4" (76.2 - 101.6 mm)			±.00015" (±3 μm)	
Metric					
Code No.	Range	Graduation	Accuracy	D	
<b>115-101</b>	0 - 15 mm	0.01 mm	±3 μm	ø5.5 mm	
<b>115-115</b>	0 - 25 mm			ø10 mm	
<b>115-116</b>	25 - 50 mm			ø11 mm	
<b>115-117</b>	50 - 75 mm			ø17 mm	
<b>115-118</b>	75 - 100 mm			ø18 mm	
Inch					
Code No.	Range	Graduation	Accuracy	D	
<b>115-153</b>	0 - 1"	.0001"	±.00015"	ø.40"	

\* Excluding quantizing error.

### Dimensions



## Technical Data

Battery: SR44 (1 pc), **938882**: 395 series

## Optional Accessories (for 395 series only)

Code No.	Description
<b>264-622</b>	U-WAVE-TM transmitter
<b>02AZF310</b>	U-WAVE-TM connection unit
<b>05CZA662</b>	SPC data cable with pushbutton (1 m)
<b>05CZA663</b>	SPC data cable with pushbutton (2 m)
<b>06AFM380B</b>	USB input tool direct USB-ITN-B (2 m)



## SERIES 395,115 – Spherical Anvil and Spindle Tube Micrometers

- Designed to measure workpieces with concave-concave surfaces such as the race-wall thickness of anti-friction bearings.
- Measuring faces: carbide (115-201: only the spindle is carbide tipped).
- 395 series: Digimatic type IP65 rated with spherical anvil and spindle.
- Equipped with Ratchet Stop for constant measuring force.

**MeasurLink** ENABLED  
Data Management Software by Mitutoyo

**IP65**



395-371-30



115-215

## Specifications

### Inch/Metric

Code No.	Range	Resolution	Accuracy*	D
<b>Digimatic</b>				
<b>395-371-30</b>	0 - 1" (0-25.4 mm)	.00005" (0.001 mm)	±.0001" (±2 μm)	ø.59" (ø15 mm)
<b>395-372-30</b>	1 - 2" (25.4-50.8 mm)			ø.75" (ø19 mm)
<b>395-373-30</b>	2 - 3" (50.8-76.2 mm)		±.00015" (±3 μm)	ø.79" (ø20 mm)
<b>395-374-30</b>	3 - 4" (76.2-101.6 mm)			

### Metric

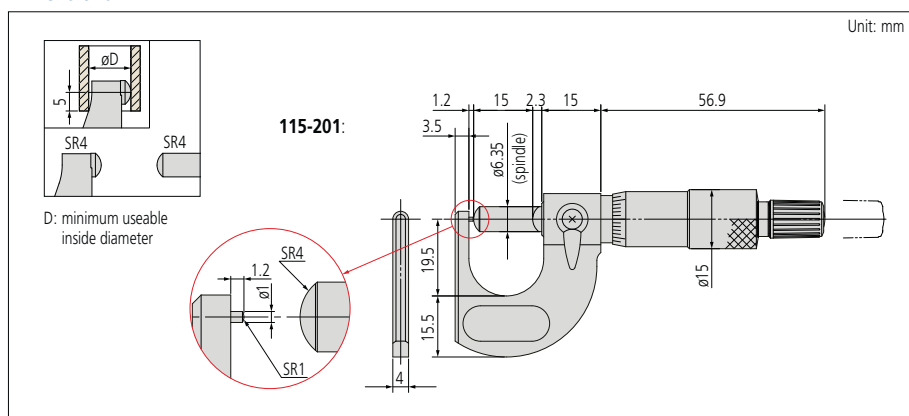
Code No.	Range	Graduation	Accuracy	D
<b>115-201</b>	0-15 mm	0.01 mm	±3 μm	ø5.5 mm
<b>115-215</b>	0-25 mm			ø10 mm
<b>115-216</b>	25-50 mm			ø11 mm
<b>115-217</b>	50-75 mm			ø17 mm
<b>115-218</b>	75-100 mm		±4 μm	ø18 mm

### Inch

Code No.	Range	Graduation	Accuracy	D
<b>115-253</b>	0-1"	.0001"	±.00015"	ø.40"
<b>115-242</b>	1-2"	.001"		ø.44"
<b>115-243</b>	2-3"			ø.67"

\* Excluding quantizing error.

## Dimensions



# Micrometers

## SERIES 395,115 – Cylindrical/Spherical Anvil Tube Micrometers

- Spindle face: carbide.
- 395 series: Digimatic type IP65 rated with a choice of spherical or cylindrical anvils.
- Equipped with Ratchet Stop for constant measuring force.



B



### Specifications

Inch/Metric				
Code No.	Range	Resolution	Type	
Digimatic				
395-362-30	0 - 1" (0 - 25.4 mm)	.00005" (0.001 mm)	BMB2	
395-363-30			BMB3	
395-364-30			BMB4	
Metric				
Code No.	Range	Graduation	Type	
115-302	0 - 25 mm	0.01 mm	BMB1	
115-308			BMB2	
115-303	25 - 50 mm		BMB1	
115-315	0 - 25 mm		BMB3	
115-316		BMB4		
Inch				
Code No.	Range	Graduation	Type	
115-305	0 - 1"	.001"	BMB1	
115-313		.0001"	BMB3	
115-314		.0001"	BMB4	

### Dimensions

Unit: mm

D: Minimum insertable inside diameter  
L: Distance to spindle centre

Anvil	D	L
BMB1	2	4
BMB2	3.6	4
BMB3	4.8	12
BMB4	8.2	22

### Technical Data

Accuracy:  $\pm (2 + L/75) \mu\text{m}^*$   
 Battery: SR44 (1 pc), **938882**: 395 series  
 \* L = measured length in mm.

### Optional Accessories (for 395 series only)

Code No.	Description	
264-622	U-WAVE-TM transmitter	
02AZF310	U-WAVE-TM connection unit	
05CZA662	SPC data cable with pushbutton (1 m)	
05CZA663	SPC data cable with pushbutton (2 m)	
06AFM380B	USB input tool direct USB-ITN-B (2 m)	



BMB1

BMB2



BMB3

BMB4