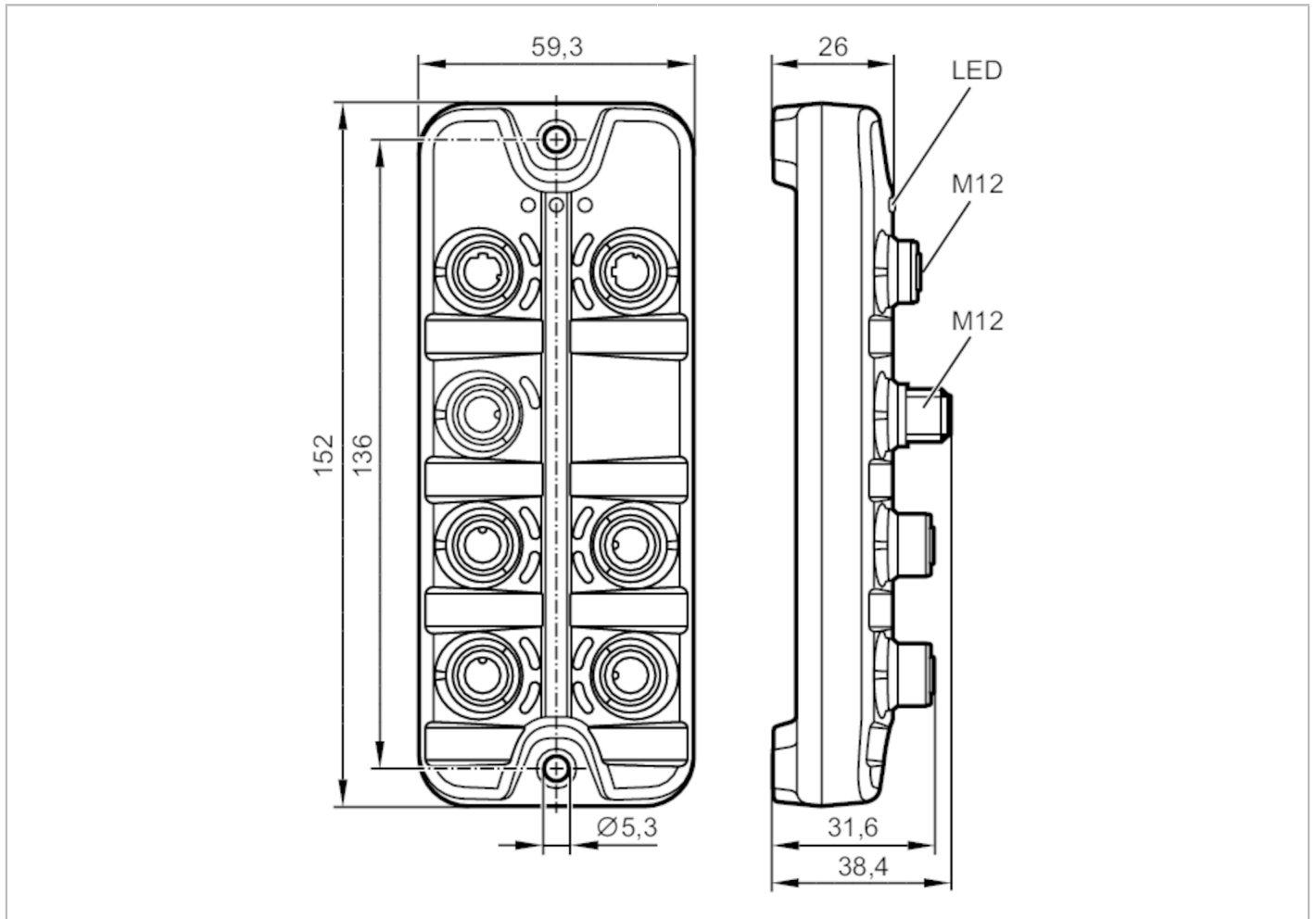


ZZ1350



IO-Link master starter kit - MQTT JSON

Starter kit IO-Link Master IoT



Mechanical data	
Weight	[g] 906.5
Accessories	
Components	IO-Link master DataLine, Internet of Things, AL1350
	Power supply , 230 V / 24 V (M12)
	Ethernet cable , M12 - RJ45; 0.5 m, E12490
	Connection cable , M12 - M12; 0.6 m, EVC041
	Temperature sensor with IO-Link, TV7105
	Parameter setting software , LR DEVICE (USB), QA0011
Remarks	
Remarks	For additional information, please refer to the data sheets and installation instructions for the components listed above.
Notes	article can only be ordered once per customer
Pack quantity	1 pcs.